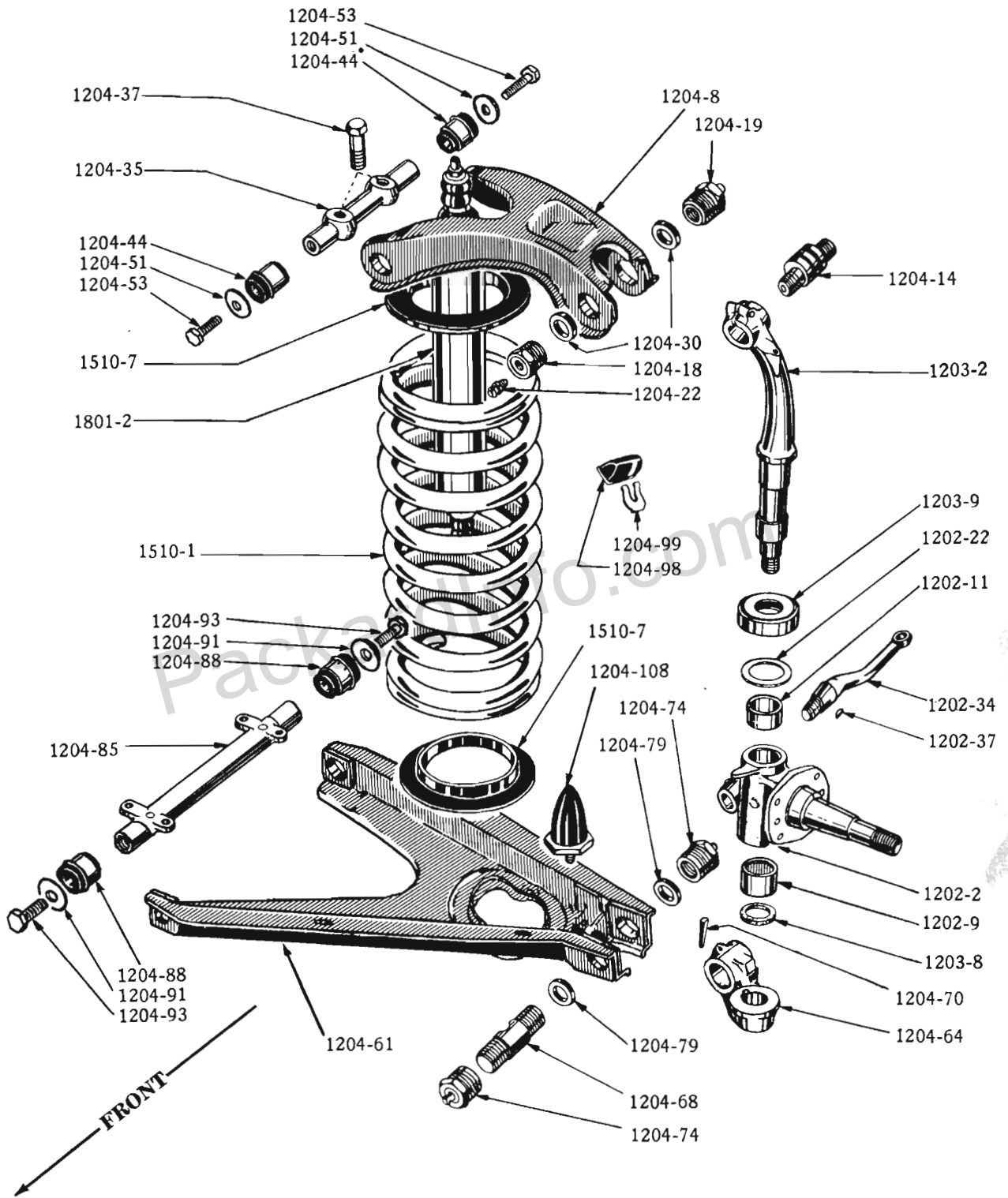


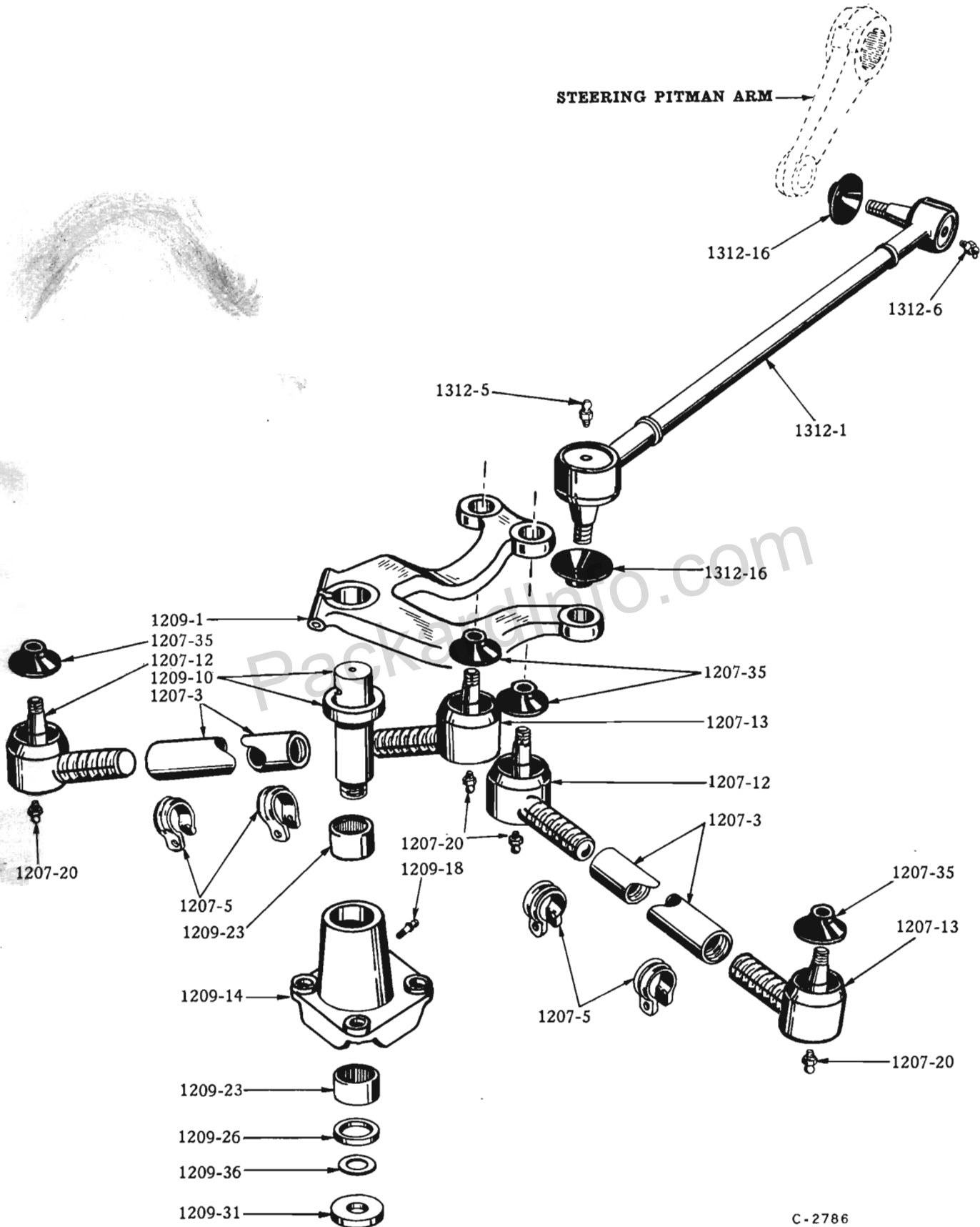
FRONT AXLE

Plate 12-1



C-2924

STEERING KNUCKLE, CONTROL ARMS and KING PINS



STEERING LINKAGE

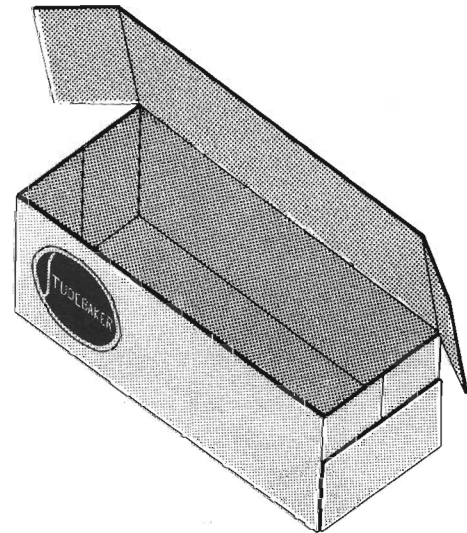
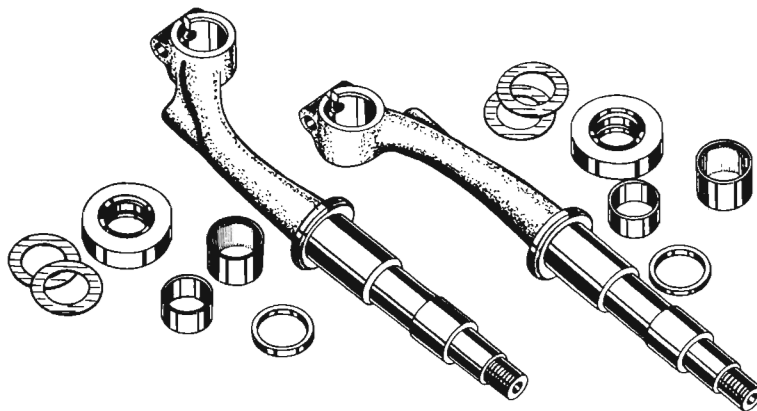
C-2786

FRONT AXLE

1203

ILLUST. NUMBER	PART NUMBER	CHANGE	DESCRIPTION	MODELS	PER CAR
1202- STEERING KNUCKLE AND ARM (Plate 12-1)					
1202-2	527988		KNUCKLE, RIGHT, STEER. } C-K-D	16G6	1
1202-2	527989		KNUCKLE, LEFT, STEER. } NOTE 1	16G6	1
1202-2	531980		KNUCKLE, RIGHT, STEER. } C-K-D	16G6	1
1202-2	531981		KNUCKLE, LEFT, STEER. } NOTE 2	16G6	1
1202-2	531980		KNUCKLE, RIGHT, STEER. } W-F	16G6	1
1202-2	531981		KNUCKLE, LEFT, STEER. } W-F	16G6	1
1202-2	531980		KNUCKLE, RIGHT, STEER. } W-F	16G8, 6H, 56G, 56B, 56H, 56J	1
1202-2	531981		KNUCKLE, LEFT, STEER. } W-F	16G8, 6H, 56G, 56B, 56H, 56J	1
1202-2	531980		KNUCKLE, RIGHT, STEER. } EXCEPT	57G, 57B, 57H	1
1202-2	531981		KNUCKLE, LEFT, STEER. } Y.	57G, 57B, 57H	1
1202-2	527988		KNUCKLE, RIGHT, STEER. } Y.	57H	1
1202-2	527989		KNUCKLE, LEFT, STEER. } Y.	57H	1
1202-2	527988		KNUCKLE, RIGHT, STEER. } Y.	57L	1
1202-2	527989		KNUCKLE, LEFT, STEER. } Y.	57L	1
	G191758		GREASE FITTING, ALEMITE STRAIGHT	ALL MODELS	2
1202-9	196859		BEARING, LOWER, STEER. KNUCKLE (INCL. IN 533888 KIT)	ALL MODELS	2
1202-11	527981		BUSHING, UPPER, STEER. KNUCKLE (INCL. IN 533888 KIT)	ALL MODELS	2
1202-22	193684		SHIM, STEER. KNUCKLE (INCL. IN 533888 KIT) .009-.011 THICKNESS	ALL MODELS	*
1202-22	193685		SHIM, STEER. KNUCKLE .012-.014	ALL MODELS	*
1202-22	193686		SHIM, STEER. KNUCKLE .015-.017	ALL MODELS	*
1202-22	193687		SHIM, STEER. KNUCKLE .018-.020	ALL MODELS	*
1202-22	193688		SHIM, STEER. KNUCKLE .021-.023	ALL MODELS	*
1202-34	529050		ARM, STEER. KNUCKLE	ALL MODELS	2
1202-37	G124549		KEY, WOODRUFF, TO KNUCKLE 3/16"X3/4"	ALL MODELS	2
	G119256		NUT, TO KNUCKLE 5/8"-18	ALL MODELS	2
	----		COTTER 1/8"X1/4"	ALL MODELS	2

1203- STEERING KNUCKLE KING PIN AND BEARINGS (Plate 12-1)



C-2720

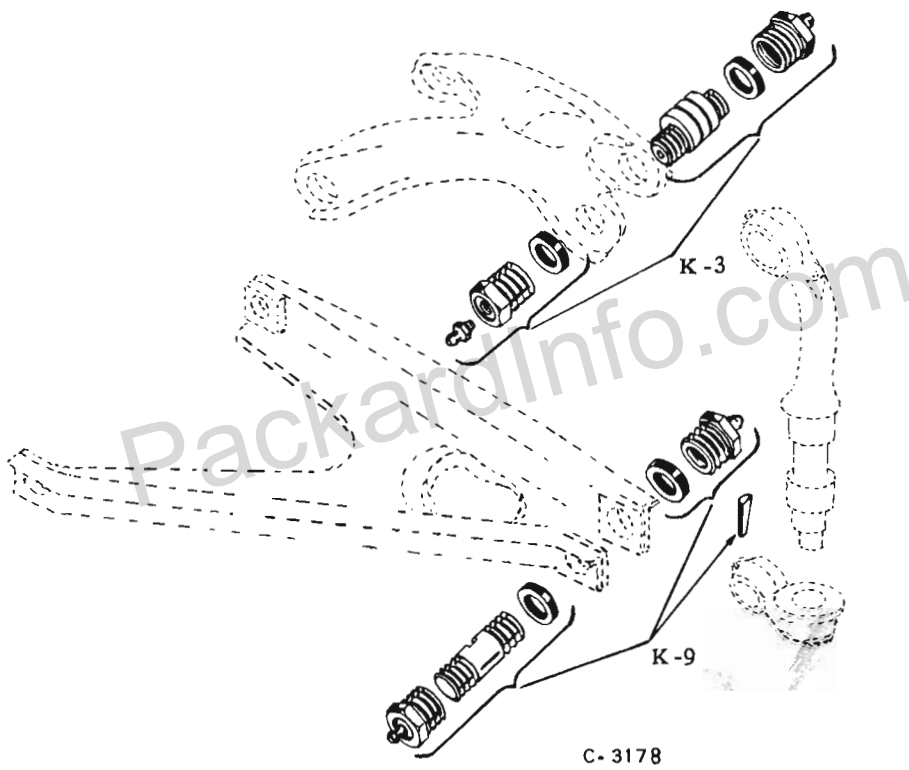
533888 KING PIN KIT - CONSISTS OF:	ALL MODELS	1
1-533762 KING PIN, RIGHT		
2-196859 BEARING, LOWER		
1-533763 KING PIN, LEFT		
2-636965 BEARING, THRUST		
2-527981 BUSHING, UPPER		
4-193684 SHIM, KNUCKLE		
2-519483 GASKET, KING PIN		

NOTES { * - USE AS REQUIRED.
 1 - USED ON MODEL 16G6 BEFORE CAR SERIALS C-K SOUTH BEND LOS ANGELES CANADA
 D G-1,336,801 G-934,662 G-761,242
 G-1,326,201 G-933,601 G-759,101
 2 - USED ON MODEL 16G6 ON AND AFTER CAR SERIALS IN NOTE 1.

FRONT AXLE

ILLUST. NUMBER	PART NUMBER	CHANGE	DESCRIPTION	MODELS	PER CAR
1203- STEERING KNUCKLE KING PIN AND BEARINGS-Cont'd. (Plate 12-1)					
1203-2	533762	✓	PIN, RIGHT, KING	ALL MODELS	1
	533763		PIN, LEFT, KING } INCL. IN 533888 KIT		
	537906		NUT, TO SUPPORT 3/4"X16		
	41X156		WASHER, PLAIN 3/4"		
	----		COTTER 1/8"X1 1/2"		
1203-8	519483		GASKET, KING PIN (INCL. IN 533888 KIT)	ALL MODELS	2
1203-9	636965		BEARING, KNUCKLE THRUST (INCL. IN 533888 KIT)	ALL MODELS	2

1204- STEERING KNUCKLE CONTROL ARM (Plate 12-1)
UPPER CONTROL ARM, PIN, SHAFT, ETC.

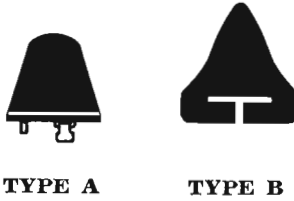


K3	531190		PIN AND BUSHING KIT, UPPER ARM OUTER, CONSISTS OF: 1-524227 PIN 1-529281 BUSHING 1-529282 BUSHING 2-525035 SEAL 1-G191758 FITTING	ALL MODELS	2
1204-8	532181		ARM, UPPER, KNUCKLE CONTROL	ALL MODELS	2
1204-14	524227		PIN, UPPER CONTROL ARM PIVOT (INCL. IN 531190 KIT)	ALL MODELS	2
	G181647		BOLT, CLAMPING, THRU KING PIN 3/8"X24X1 7/8"	ALL MODELS	2
	G120369		NUT, CLAMP BOLT, HEX. 3/8"X24	ALL MODELS	2
	G120382		WASHER, LOCK 3/8"	ALL MODELS	2
1204-18	529282		BUSHING AND GREASE FITTING, OUTER FRONT, UPPER CONTROL ARM	} INCL. IN 531190 KIT	ALL MODELS 2
1204-19	529281		BUSHING LESS GREASE FITTING, OUTER REAR, UPPER CONTROL ARM		
1204-22	G191758		GREASE FITTING, OUTER REAR		
1204-30	525035		SEAL, OUTER BUSHING GREASE (INCL. IN 531190 KIT)	ALL MODELS	4

FRONT AXLE

1204

ILLUST. NUMBER	PART NUMBER	CHANGE	DESCRIPTION	MODELS	PER CAR
1204- STEERING KNUCKLE CONTROL ARM-Cont'd.					
(Plate 12-1)					
UPPER CONTROL ARM, PIN, SHAFT, ETC.-Cont'd.					
1204-35	532184		SHAFT, UPPER CONTROL ARM PIVOT	ALL MODELS	2
1204-37	526765		BOLT, TO FRAME 1/2"-20X1 5/8"	ALL MODELS	4
	G120371		NUT, HEX. 1/2"-20	ALL MODELS	4
	----		WASHER, LOCK 1/2"	ALL MODELS	4
1204-44	533163		BUSHING, INNER, UPPER CONTROL ARM	ALL MODELS	4
1204-51	532187		RETAINER, UPPER CONTROL ARM INNER BUSHING	ALL MODELS	4
1204-53	1541700		SCREW, TO SHAFT 3/8"-24X1 1/8"	ALL MODELS	4
	G446211		WASHER, PLAIN 7/16"	ALL MODELS	4
LOWER CONTROL ARM, PIN, SHAFT, ETC.					
K9	531192		PIN AND BUSHING KIT, LOWER ARM OUTER PIVOT, CONSISTS OF: 1-518431 PIN 2-199385 SEAL 2-529280 BUSHING 1-510141 KEY	ALL MODELS	2
	532182		ARM, LOWER RIGHT, KNUCKLE CONTROL	16G, 6H, 56G, 56B, 56H, 56J	1
1204-61	532183		ARM, LOWER LEFT, KNUCKLE CONTROL	16G, 6H, 56G, 56B, 56H, 56J	1
	1541682		ARM, LOWER RIGHT, KNUCKLE CONTROL	57G, 57B, 57H, 57L	1
1204-61	1541683		ARM, LOWER LEFT, KNUCKLE CONTROL	57G, 57B, 57H, 57L	1
	533764		SUPPORT, RIGHT, LOWER CONTROL ARM TO KING PIN	ALL MODELS	1
1204-64	533765		SUPPORT, LEFT, LOWER CONTROL ARM TO KING PIN	ALL MODELS	1
	G124551		KEY, WOODRUFF, TO KING PIN 1/4" X 7/8"	ALL MODELS	2
1204-68	518431		PIN, LOWER CONTROL ARM PIVOT } INCL. IN 531192 KIT.	ALL MODELS	2
1204-70	510141		KEY, TAPER, TO KING PIN }	ALL MODELS	2
1204-74	529280		BUSHING AND GREASE FITTING, OUTER, LOWER CONTROL ARM (INCL. IN 531192 KIT)	ALL MODELS	4
1204-79	199385		SEAL, OUTER BUSHING (INCL. IN 531192 KIT)	ALL MODELS	4
1204-85	532188		SHAFT, LOWER CONTROL ARM PIVOT	ALL MODELS	2
	G181399		BOLT, TO CROSSMEMBER 7/16"- 20X1 3/8"	ALL MODELS	8
	911882X8		NUT, HEX. 7/16"- 20	ALL MODELS	8
1204-88	533164		BUSHING, LOWER CONTROL ARM INNER SHAFT	ALL MODELS	4
1204-91	532190		RETAINER, LOWER CONTROL ARM INNER SHAFT BUSHING	ALL MODELS	4
1204-93	G181429		SCREW, TO SHAFT 1/2"- 20X1 1/4"	ALL MODELS	4
	----		WASHER, LOCK 1/2"	ALL MODELS	4



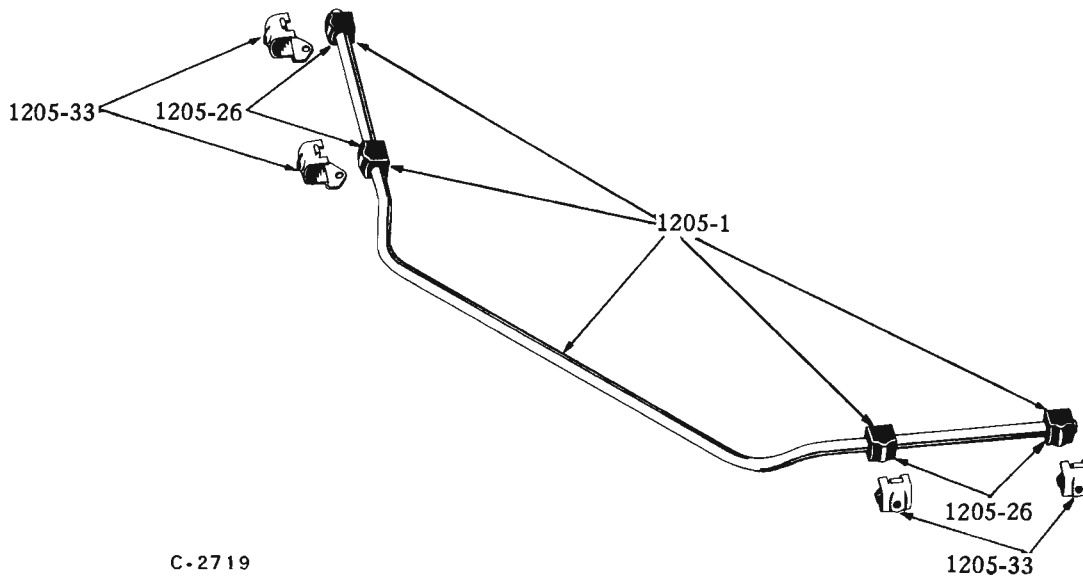
ILLUST. NUMBER	PART NUMBER	DESCRIPTION	MODELS	PER CAR
1204-98	526337	BUMPER, UPPER CONTROL ARM - STL. & RBR. NOTE 3	A.	2
1204-98	537461	BUMPER, UPPER CONTROL ARM - RUBBER - NOTE 4	B.	2
1204-99	185981	PLATE, LOCK, TO FRAME - FOR 526337.	16G, 6H	2
1204-108	524230	BUMPER, LOWER CONTROL ARM JOUNCE - STEEL AND RUBBER	ALL MODELS	2
	G451010	NUT, HEX. 3/8"-24	ALL MODELS	2
	----	BRACKET, LOWER CONTROL ARM JOUNCE BUMPER-SEE GROUP 1507	ALL MODELS	2

NOTES { 3 - TYPE A STEEL AND RUBBER, USED ON MODELS 16G6 | 16G8 | 6H
BEFORE CAR SERIALS G-1,338,014 | 8,407,440 | 7,161,612
4 - TYPE B RUBBER, USED ON AND AFTER CAR SERIALS IN NOTE 3.

FRONT AXLE

ILLUST. NUMBER	PART NUMBER	CHANGE	DESCRIPTION	MODELS	PER CAR
----------------	-------------	--------	-------------	--------	---------

1205- STEERING KNUCKLE CONTROL ARM STABILIZER



C-2719

1205-1	532191	SHAFT W/BUSHINGS, CONTROL ARM STABILIZER - NOTE 5	ALL EXCEPT 57G	1
1205-26	529392	BUSHING, STABILIZER SHAFT - RUBBER - NOTE 5	ALL EXCEPT 57G	4
1205-33	529391	RETAINER, STABILIZER SHAFT BUSHING	ALL EXCEPT 57G	4
	G181608	BOLT, TO ARM 5/16"-24X1"	ALL EXCEPT 57G	4
	G120368	NUT, HEX. 5/16"-24.	ALL EXCEPT 57G	4
	G120393	WASHER, PLAIN 5/16"	ALL EXCEPT 57G	2
	G120214	WASHER, LOCK 5/16"	ALL EXCEPT 57G	4

1207- STEERING KNUCKLE TIE ROD AND ENDS (Plate 12-2)

	529248	ROD W/ENDS, KNUCKLE TIE - U.S.A.	ALL MODELS	2
	531206	ROD W/ENDS, KNUCKLE TIE - CANADA.	ALL MODELS	2
	G102647	NUT, BALL STUD 1/2"-20	ALL MODELS	4
	-----	COTTER 3/32"X1"	ALL MODELS	4
1207-3	537977	ROD ONLY, KNUCKLE TIE	ALL MODELS	2
1207-5	510487	CLAMP, KNUCKLE TIE ROD.	ALL MODELS	4
	G181341	BOLT, CLAMPING 5/16"-24X1 1/4"	ALL MODELS	4
	G120368	NUT, HEX. 5/16"-24.	ALL MODELS	4
	G120214	WASHER, LOCK 5/16".	ALL MODELS	4
1207-12	530203	END, OUTER RIGHT, INNER LEFT (HAS RH THD.) - U.S.A.	ALL MODELS	2
1207-13	530204	END, INNER RIGHT, OUTER LEFT (HAS LH THD.) - U.S.A.	ALL MODELS	2
1207-12	531210	END, OUTER RIGHT, INNER LEFT (HAS RH THD.) - CANADA	ALL MODELS	2
1207-13	531211	END, INNER RIGHT, OUTER LEFT (HAS LH THD.) - CANADA	ALL MODELS	2
	G271287	GREASE FITTING	ALL MODELS	4
1207-35	530202	SEAL, TIE ROD END BALL STUD	ALL MODELS	4

NOTE { 5 - DISCONTINUED ON MODEL 56G AT CAR SERIAL 1,358,217.

FRONT AXLE

1209

ILLUST. NUMBER	PART NUMBER	CHANGE	DESCRIPTION	MODELS	PER CAR
1209- STEERING BELL CRANK AND LEVER (Plate 12-2)					
1209-1	527980		BELL CRANK, STEER. - LHC.	16G, 6H	1
1209-1	1539053		BELL CRANK, STEER. - LHC.	56G, 56B, 56H, 56J.	1
	530426		BELL CRANK, STEER. - RHC.	16G, 6H, 56G, 56B, 56H, 56J	1
1209-1	1542209		BELL CRANK, STEER. - LHC.	57G, 57B, 57H, 57L.	1
	1542210		BELL CRANK, STEER. - RHC.	57G, 57B, 57H, 57L.	1
	G186639		BOLT, CLAMPING 3/8"-24X2 3/4".	16G, 6H, 56G, 56B, 56H, 56J	1
	197042		NUT, HEX. 3/8"-24	16G, 6H, 56G, 56B, 56H, 56J	1
	G120382		WASHER, LOCK 3/8"	16G, 6H, 56G, 56B, 56H, 56J	1
	G454962		BOLT, CLAMPING 7/16"-20X2 3/4".	57G, 57B, 57H, 57L.	1
	674899		NUT, HEX. 7/16"-20.	57G, 57B, 57H, 57L.	1
	G129383		WASHER, LOCK 7/16".	57G, 57B, 57H, 57L.	1
1209-10	529239		SHAFT AND WASHER, BELL CRANK.	ALL MODELS	1
1209-10	1542214		SHAFT AND WASHER, BELL CRANK.	57G, 57B, 57H, 57L.	1
	639040		NUT, HEX. 5/8"-18.	ALL MODELS	1
	----		COTTER 1/8"X1 1/4".	ALL MODELS	1
1209-14	529237		BRACKET w/BEARINGS, BELL CRANK.	16G, 6H, 56G, 56B, 56H, 56J	1
1209-14	1542212		BRACKET w/BEARINGS, BELL CRANK.	57G, 57B, 57H, 57L.	1
1209-18	G271288		GREASE FITTING, BELL CRANK	ALL MODELS	1
	G189331		BOLT, LONG, TO CROSS MEMBER 3/8"-24X4".	ALL MODELS	2
	G181639		BOLT, SHORT, TO CROSS MEMBER 3/8"-24X1 1/4".	ALL MODELS	2
	G120369		NUT, HEX. 3/8"-24	ALL MODELS	4
	41X562		WASHER, PLAIN 3/8".	ALL MODELS	2
	G120382		WASHER, LOCK 3/8".	ALL MODELS	4
1209-23	525013		BEARING, BELL CRANK BRACKET	ALL MODELS	2
1209-26	525007		SEAL, BELL CRANK BRACKET.	ALL MODELS	1
1209-31	525001		THRUST WASHER, LOWER, BELL CRANK.	16G, 6H, 56G, 56B, 56H, 56J	1
1209-31	1542216		THRUST WASHER, LOWER, BELL CRANK.	57G, 57B, 57H, 57L.	1
			THICKNESS		
1209-36	525002		SHIM, BELL CRANK ADJUSTING.	ALL MODELS	*
1209-36	525003		SHIM, BELL CRANK ADJUSTING.	ALL MODELS	*
1209-36	525004		SHIM, BELL CRANK ADJUSTING.	ALL MODELS	*
1209-36	525005		SHIM, BELL CRANK ADJUSTING.	ALL MODELS	*
1209-36	525006		SHIM, BELL CRANK ADJUSTING.	ALL MODELS	*

NOTE { * - USE AS REQUIRED.

